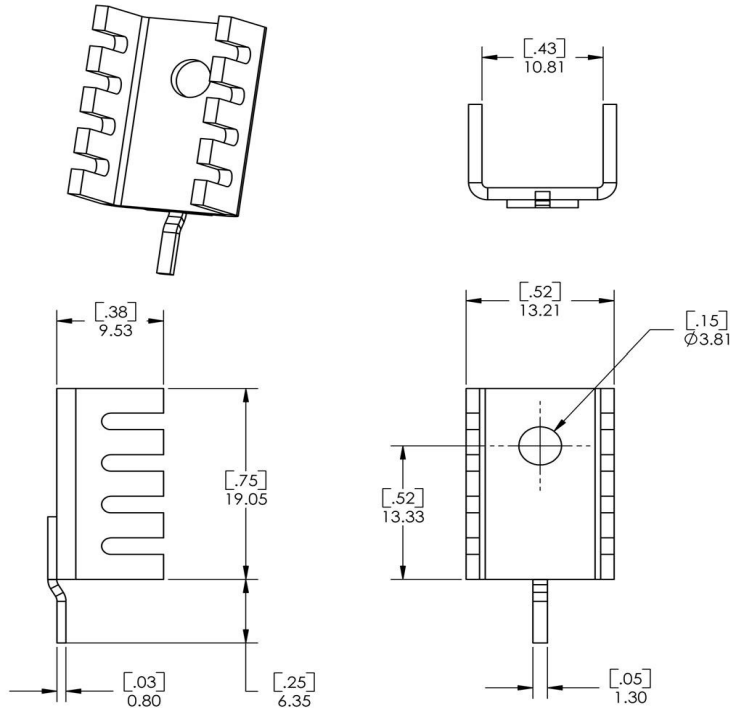
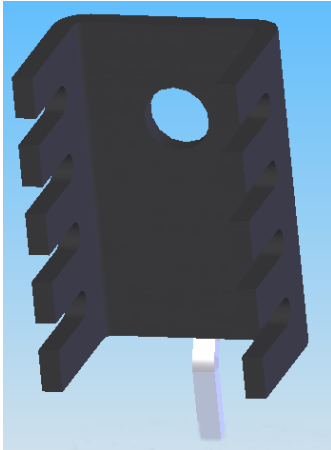


# Board Level Heat Sinks



P/N: 821102B04000



## PRODUCT SPECIFICATIONS

- Devices: TO-220
- Size: 9.5 x 13.2 x 19.1 mm
- Material: Aluminum, 1.2 mm Thick
- Weight: 1.5 grams
- Type: Stamped
- PCB Mounting: Solderable Tab
- Finish: Black Anodized
- Package: Bulk
- Accessories: Hardware & Thermal Interface Material

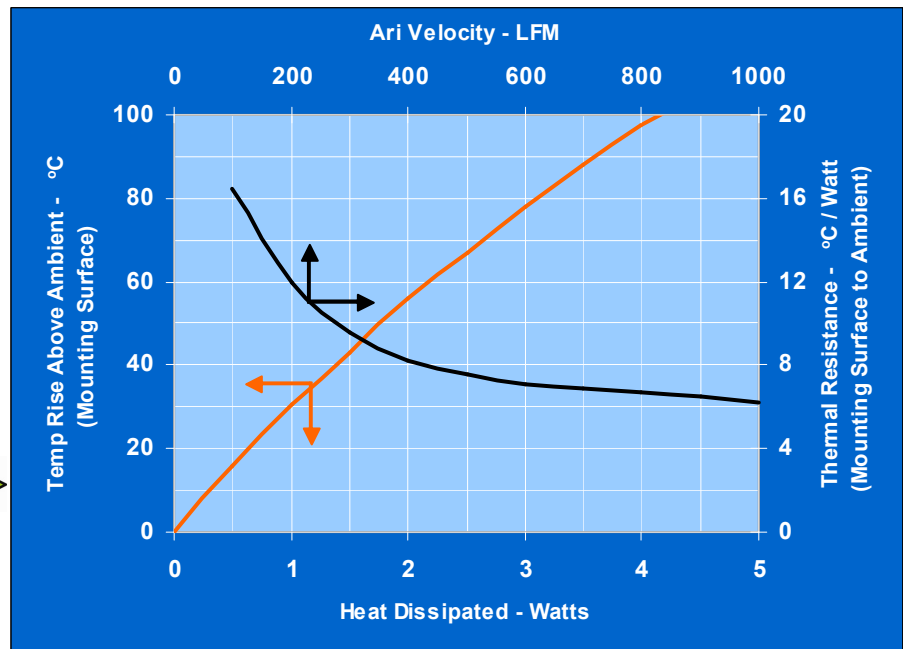
## FEATURES & BENEFITS

- Hole for Device Attachment
- RoHS Compliant



## CUSTOMIZED HEATSINKS

- Specialized Tabs, Plating
- Specialized Body Configurations
- Contact Applications Engineering



TO-220

**COMAIR ROTRON, INC**  
 8929 Terman Court, San Diego, CA 92121  
 Ph (858) 348-6200 Fax (858) 566-4577  
 E-mail: sales@comairrotron.com,  
 Web: www.comairrotron.com